

Raspberry Pi driver for the REXYGEN system (the RPiDrv module)

User guide

REX Controls s.r.o.

Version 3.0.1

2024-03-01

Plzeň (Pilsen), Czech Republic

Contents

1	The RPiDrv driver and the REXYGEN system	2
1.1	Introduction	2
1.2	System requirements	2
1.3	Installation of the driver on the host computer	3
1.4	Installation of the driver on the target device (Raspberry Pi)	3
2	Including the driver in the project	4
2.1	Adding the RPiDrv driver	4
2.2	Connecting the inputs and outputs in the control algorithm	5
2.2.1	GPIO pins of the Raspberry Pi	5
2.2.2	The PiFace Digital expansion board	6
2.2.3	The UniPi v1.1 expansion board	6
2.2.4	Pigeon PLCs	7
2.2.5	The Intellisys PIO expansion board	7
3	Troubleshooting	18
	Bibliography	19

Chapter 1

The RPiDrv driver and the REXYGEN system

1.1 Introduction

This manual describes the RPiDrv driver for working with the Raspberry Pi¹ minicomputer [1] within the REXYGEN system. The driver supports GPIO pins of the Raspberry Pi itself. Both input and output modes are supported.

The driver also supports the UniPi v1.1 [2] and PiFace Digital 1/2 [3] expansion boards as well as Pigeon PLCs [4] based on Raspberry Pi Compute Module. The driver was developed by the REX Controls company.

1.2 System requirements

The RPiDrv driver can be used on all Raspberry Pi models which does have a network adapter (LAN / WAN).

In order to use the driver, the host computer (development) and the target computer (runtime) must have the following software installed:

Host computer

Operating system	one of the following: Windows 10/11, GNU/Linux
Development tools	version of the REXYGEN system development tools for corresponding operating system

Target device

REXYGEN system	version for Raspberry Pi with the Raspberry OS distribution of GNU/Linux ²
IO driver	version for Raspberry Pi

¹Raspberry Pi is a registered trademark of the Raspberry Pi Foundation.

²Any other Debian-based distribution should work as well.

1.3 Installation of the driver on the host computer

The RPiDrv driver is included in the installation package of the Development tools of the REXYGEN system. It is necessary to select the corresponding package in the installer. The REXYGEN system typically installs to the

C:\Program Files\REX Controls\REX <version> folder.

The following files are copied to the installation folder:

Bin\RPiDrv_H.dll – Configuration part of the RPiDrv driver.

Doc\PDF\ENGLISH\RPiDrv_ENG.pdf – This user manual.

1.4 Installation of the driver on the target device (Raspberry Pi)

If there is no RexCore runtime module installed on your Pi, install it first using the Getting started guide of REXYGEN [5]. The installation includes all necessary drivers including RPiDrv.

If you want to install RPiDrv separately, it can be done from the command line of Raspberry Pi using the command

```
sudo apt-get install rex-rpidrvt
```

Chapter 2

Including the driver in the project

The driver is included in the project as soon as the driver is added to the project main file and the inputs and outputs are connected in the control algorithms.

2.1 Adding the RPiDrv driver

The project main file with the RPiDrv driver included is shown in Figure 2.1. There is one block which must be added to the project to include the driver. A block of type IODRV connected to the Drivers output of the main EXEC block. The four most important parameters are:

- **module** – name of the module linked to the driver, in this case RPiDrv – the name is CASE SENSITIVE!
- **classname** – class of the driver – the name is CASE SENSITIVE!
 - RPiDrv – Raspberry Pi GPIO, PiFace Digital expansion board¹
 - UnpDrv – UniPi v1.1 expansion board
 - PgnDrv – Pigeon PLCs¹
 - PioDrv – Intellisys PIO platform¹
- **cfgname** – name of the driver configuration file, but this driver does not use any so leave it blank
- **factor** – multiple of the EXEC block’s tick parameter defining the driver’s task execution period

The name of this block (see Fig. 2.1), is the prefix of all input and output signals provided by this driver. It is recommended to rename the IODRV block according to the used platform:

- **RPI** – Raspberry Pi GPIO, PiFace Digital expansion board

¹Obsolete device, no support provided. It is recommended to use the Monarco HAT instead.

- UNP – UniPi expansion board
- PGN – Pigeon PLCs

The above mentioned parameters of the IODRV function block are configured in REXY-GEN Studioprogram. The configuration dialog is shown also in Fig. 2.1.

2.2 Connecting the inputs and outputs in the control algorithm

The inputs and outputs of the driver must be interconnected with the individual tasks (.mdl files). The individual tasks (QTASK or TASK blocks) are connected to the QTask, Level0, . . . , Level3 outputs of the main EXEC block.

2.2.1 GPIO pins of the Raspberry Pi

Necessary IODRV block configuration for Raspberry Pi GPIO:

- `Block name` – RPI
- `module` – RPiDrv
- `classname` – RPiDrv

The inputs and outputs of the RPiDrv driver can be accessed as shown in Fig. 2.2.

One block of the `From` type allowing the user to read one input has the `Goto tag` set to `RPI__GPIO21U`, while the other has this tag set to `RPI__GPIO22U`. The number in the flag corresponds with the GPIO pin number and the `U` letter activates the pull-up resistor. The block of `Goto` type allowing the user to set (write) one output has the `Goto tag` set to `RPI__GPIO23`, the other output is accessed via the `RPI__GPIO24` flag. The blocks always have the `RPI` prefix right at the beginning of the tag followed by two `_` characters (underscore).

Similarly for other pins we can use e.g. the flags:

- `Goto, RPI__GPIO22` – digital output 22
- `Goto, RPI__GPIO23H` – digital output 23, which is set to logical 1 (HIGH, ON) immediately upon initialization
- `Goto, RPI__PWM18` – PWM output on pin 18
- `From, RPI__GPIO7U` – digital input 7 with internal pull-up resistor
- `From, RPI__GPIO8D` – digital input 8 with internal pull-down resistor
- `From, RPI__GPIO21` – digital input 21 without any internal pull-up/down resistor

In general, the link to a particular GPIO pin consists of the driver name `RPI`, two underscores `__`, pin mode (`GPIO` or `PWM`), pin number and an optional symbol `U` for internal pull-up or `D` for internal pull-down in inputs and `H` or `L` for initial state in outputs. The pin numbering on Raspberry Pi is shown in Fig. 2.3.

All the input and output flags for the Raspberry Pi GPIO pins are contained in an example project `0120-00_IO_Flags`.

Visit the http://elinux.org/RPi_Low-level_peripherals webpage for detailed information about individual GPIO pins.

2.2.2 The PiFace Digital expansion board

Necessary IODRV block configuration for PiFace Digital:

- `Block name` – `RPI`
- `module` – `RPiDrv`
- `classname` – `RPiDrv`

Because the inputs and outputs of the board are strictly separated, the input flags contain `PFI` string and the output ones contain `PFO` string as shown in Fig. 2.4. Similarly to the GPIO pins, the pull-up resistors in inputs can be activated by the optional character `U` in the signal name. There are no pull-down resistors available on the PiFace Digital. The numbering of terminals on the PiFace Digital expansion board is shown in Fig. 2.5.

All the input and output flags for the PiFace Digital expansion board are contained in an example project `0124-00_IO_Flags`.

The numbering of the screw terminals of the PiFace Digital is depicted in Fig. 2.5.

It is also possible to read/write all eight inputs/outputs of PiFace Digital at once. This is faster than working with the individual signals. In that case the user must use the `INOCT` and `OUTOCT` blocks named `RPI__PFI` and `RPI__PFO` respectively.

Multiple PiFace Digital boards

It is assumed by default, that the PiFace Digital board is configured to have the address 0. If it is not the case, the address must be included in the input/output flag. E.g. `RPI__PFO3C2` refers to the 4th output of the PiFace Digital card with address 2.

2.2.3 The UniPi v1.1 expansion board

Necessary IODRV block configuration for UniPi v1.1 expansion board:

- `Block name` – `UNP`
- `module` – `RPiDrv`
- `classname` – `UnpDrv`

The inputs and outputs of the UniPi v1.1 expansion board can be accessed as shown in Fig. 2.6. The link to a particular IO pin consist of driver name UNP, two underscores __, signal name and number. The numbering of terminals on the UniPi expansion board is shown in Fig. 2.7.

All the input and output flags for the UniPi expansion board are contained in an example project 0122-00_IO_Flags.

2.2.4 Pigeon PLCs

Necessary IODRV block configuration for Pigeon PLCs:

- `Block name` – PGN
- `module` – RPiDrv
- `classname` – PgnDrv

The inputs and outputs of a Pigeon PLC be accessed as shown in Fig. 2.8. The link to a particular IO pin consist of driver name PGN, two underscores __, signal name and number. The numbering of terminals in Pigeon PLCs is shown in Fig. 2.9.

All the input and output flags for Pigeon PLCs are contained in an example project 0123-00_IO_Flags.

2.2.5 The Intellisys PIO expansion board

Necessary IODRV block configuration for Intellisys PIO expansion board²:

- `Block name` – PIO
- `module` – RPiDrv
- `classname` – PioDrv

The inputs and outputs of the Intellisys PIO expansion board can be accessed as shown in Fig. 2.10. The link to a particular IO pin consist of driver name PIO, two underscores __, signal name and number. The pin numbering of the Intellisys PIO expansion board is shown in Fig. 2.11.

All the input and output flags for Intellisys PIO expansion board are contained in an example project 0125-00_IO_Flags.

²Obsolete device, no support provided. It is recommended to use the Monarco HAT instead.

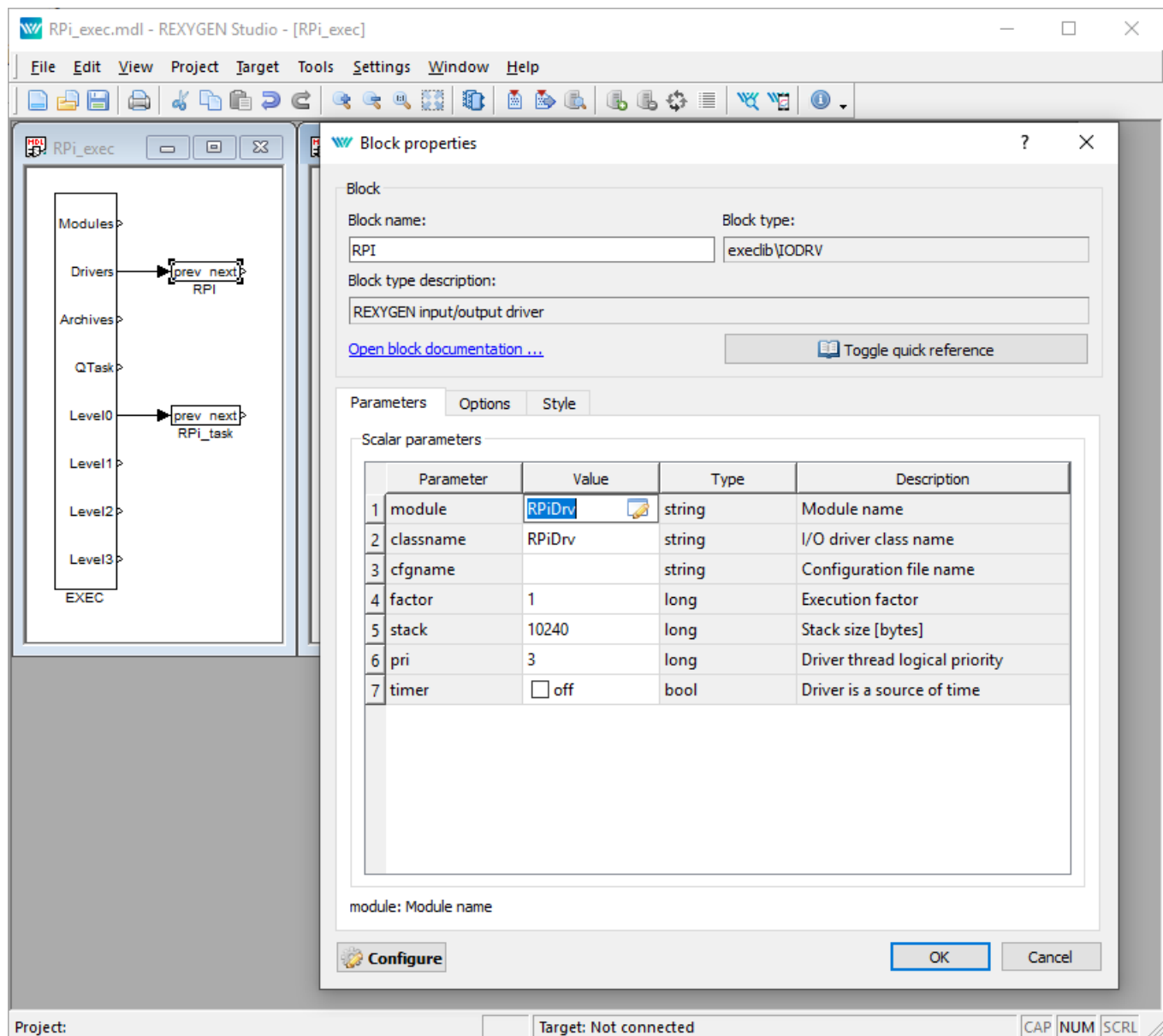


Figure 2.1: An example of project main file with the RPiDrv driver included

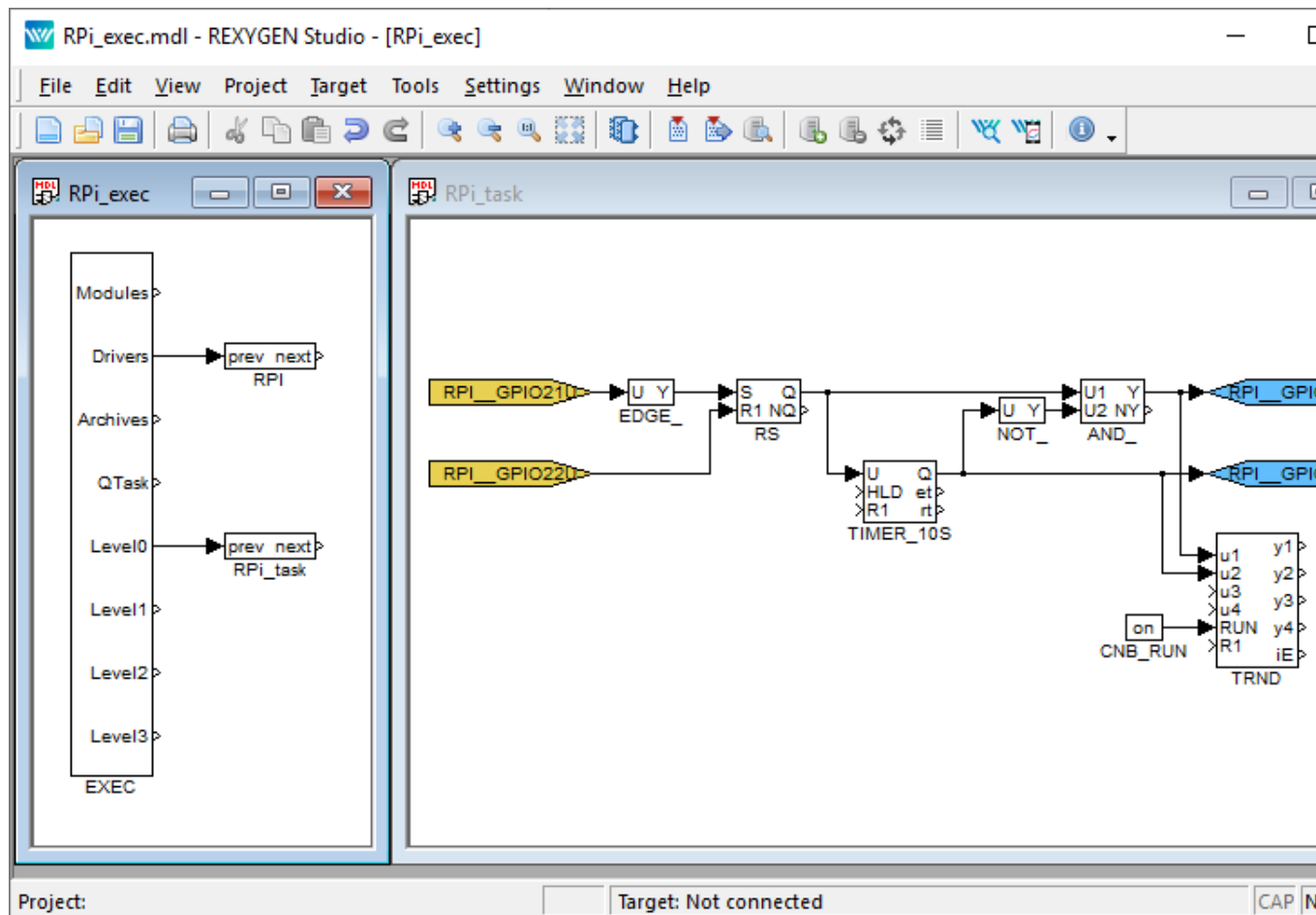


Figure 2.2: Example of input and output flags of the RPiDrv driver

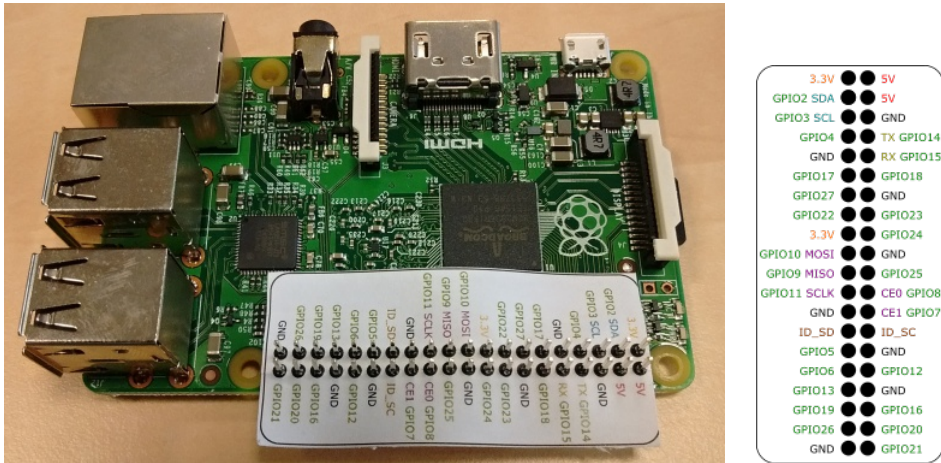


Figure 2.3: GPIO pins numbering for Raspberry Pi.

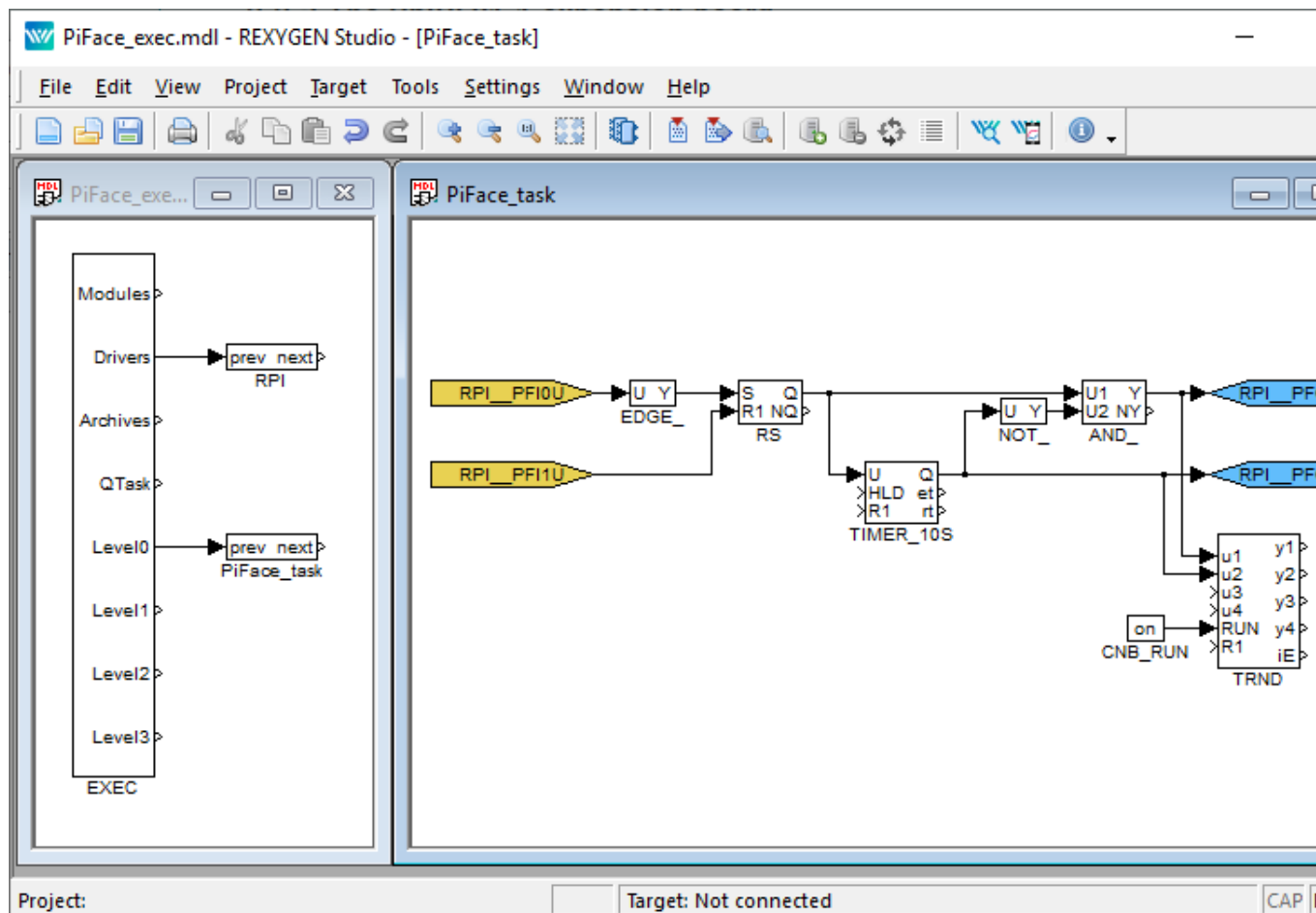


Figure 2.4: Input and output flags when using PiFace Digital

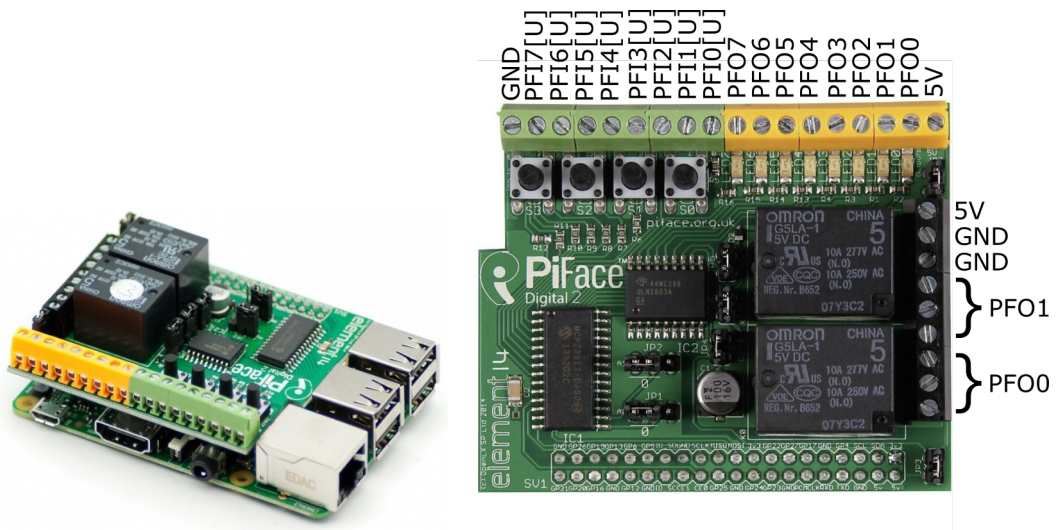


Figure 2.5: PiFace Digital 2 – numbering of the screw terminals

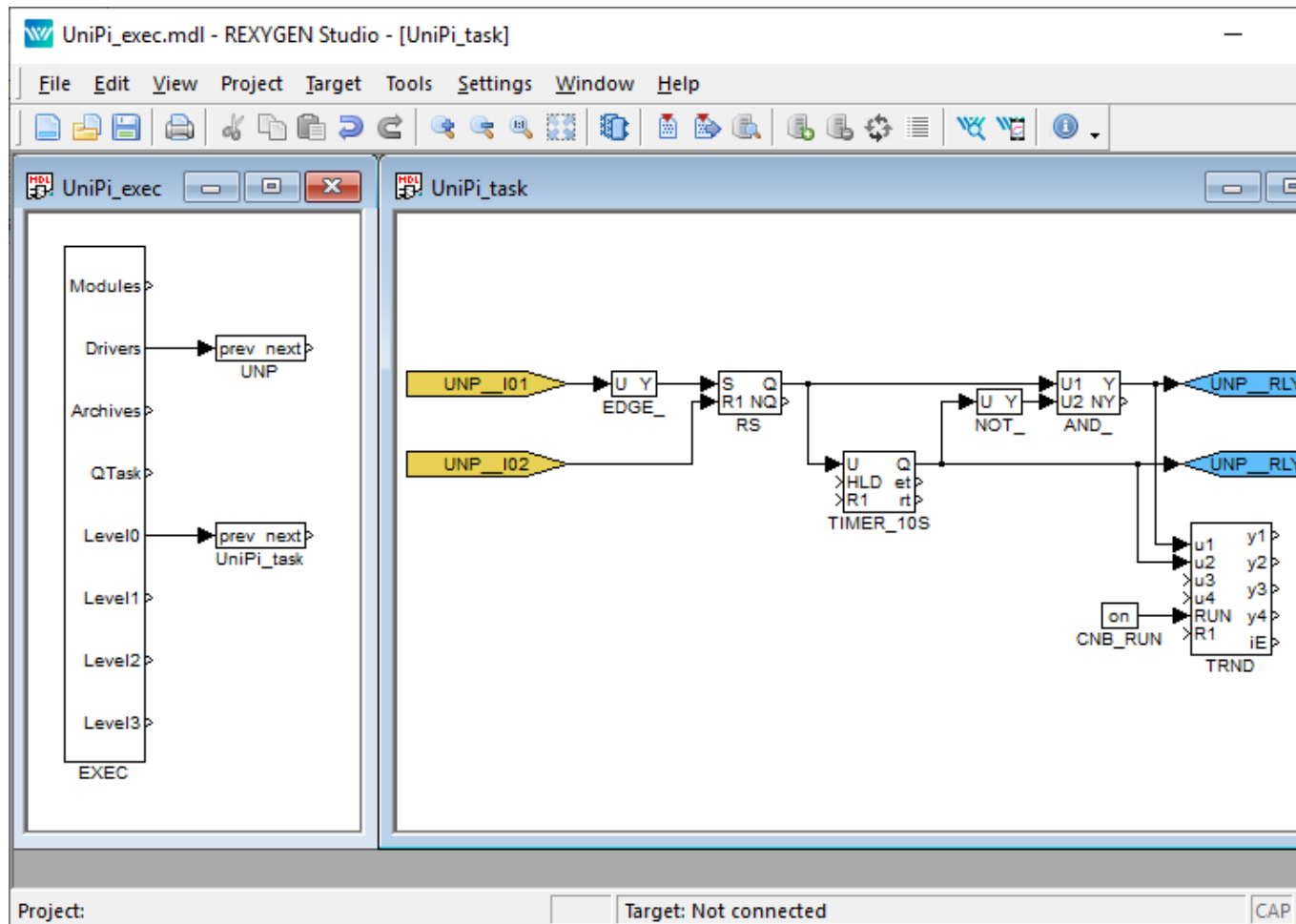


Figure 2.6: Input and output flags when using UniPi v1.1

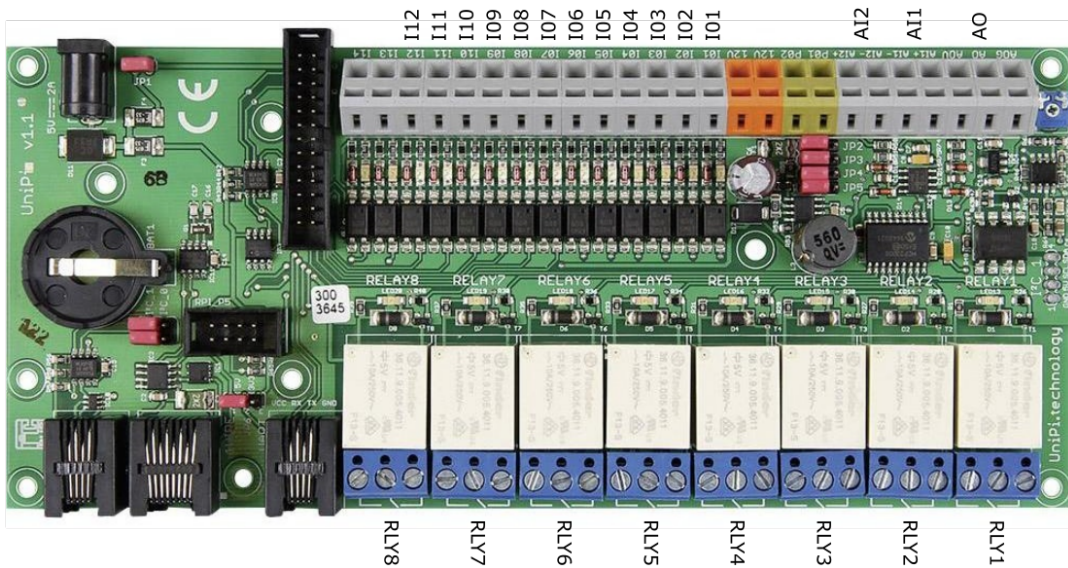


Figure 2.7: UniPi v1.1 – numbering of terminals

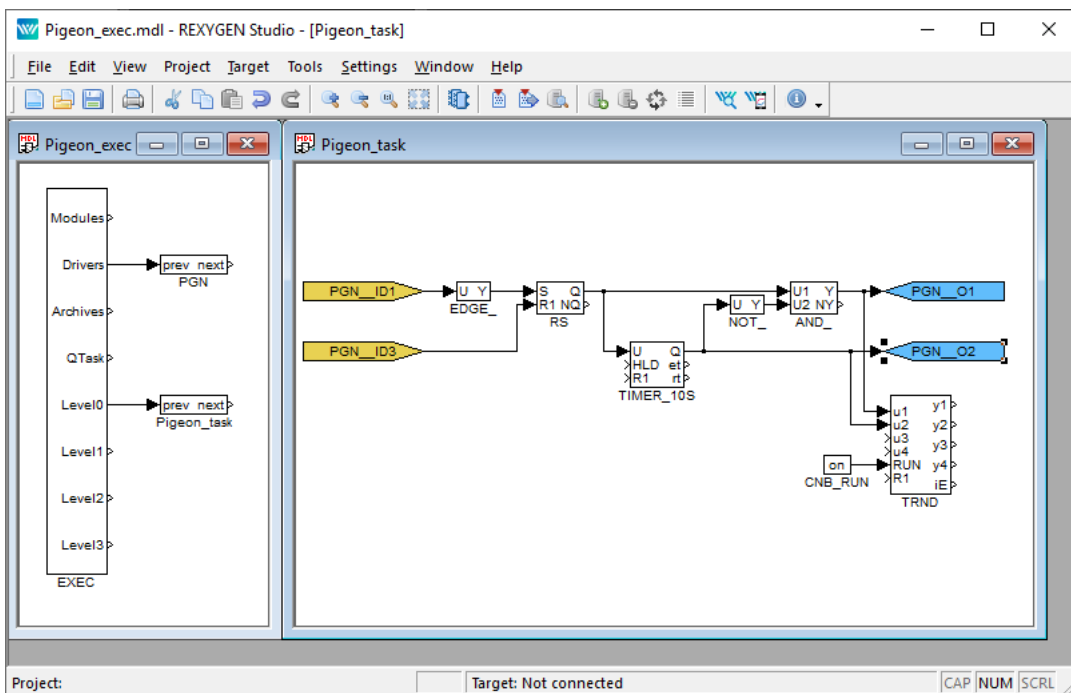


Figure 2.8: Input and output flags when using Pigeon PLC

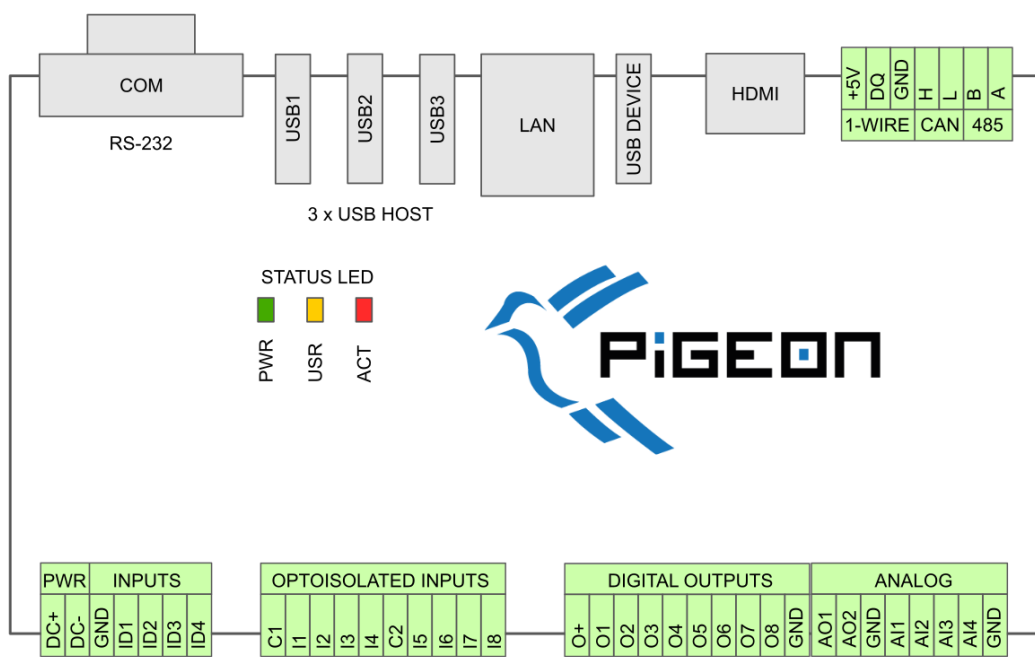


Figure 2.9: Pigeon PLC – numbering of terminals

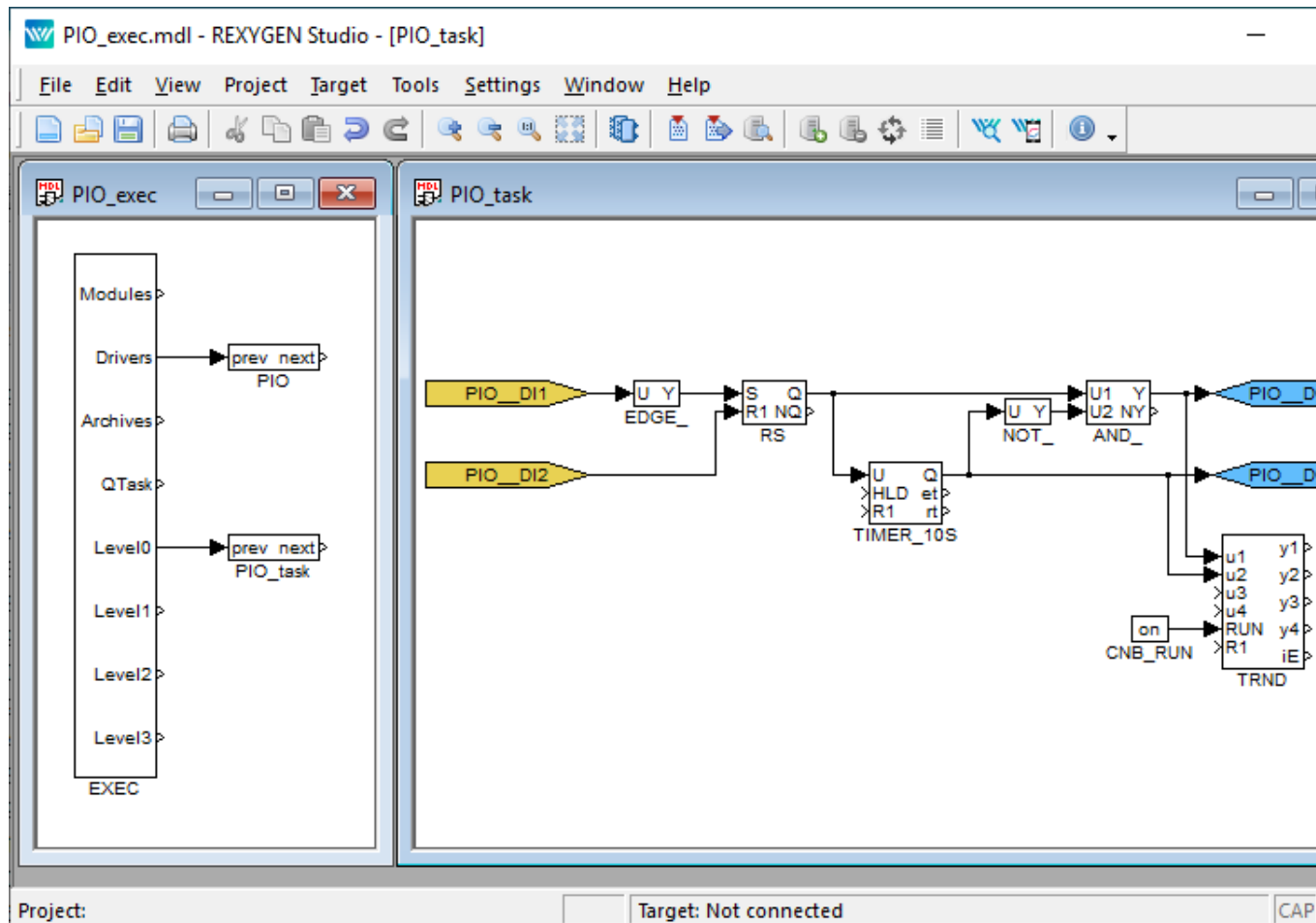


Figure 2.10: Input and output flags when using Intellisys PIO

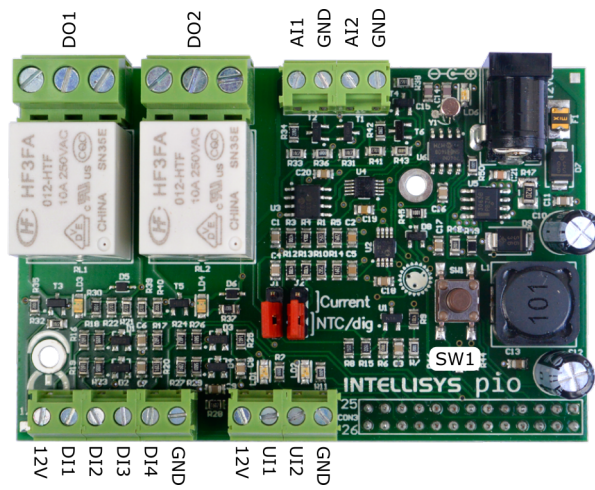


Figure 2.11: Intellisys PIO – numbering of terminals

Chapter 3

Troubleshooting

First and foremost, it's advisable to explore the library of examples, especially the section `0120_Raspberry_Pi`, which pertains to the usage of `RPiDrv`.

In the case that the diagnostic tools of the REXYGEN system report unexpected or incorrect values of inputs or outputs, it is desirable to test the functionality outside the REXYGEN system (command line tools, simple Python script, etc.). Also double check the configuration – the most common problems include:

Hardware problem – incorrect wiring

GPIO pin access problem – the GPIO pin is used by other device (SPI bus, I2C bus, serial line) or program

In the case that the given input or output works with other software tools and does not work in the REXYGEN system, report the problem to us, please. E-mail is preferred, reach us at support@rexygen.com. Please include the following information in your description to help us process your request as soon as possible:

- Identification of the REXYGEN system you are using. Simply export it to a file using the REXYGEN Studio program (Target → Licensing → Export).
- Short and accurate description of your problem.
- The configuration files of the REXYGEN system (`.mdl` files) reduced to the simplest case which still demonstrates the problematic behavior.

Bibliography

- [1] The Raspberry Pi Foundation. Raspberry Pi. <http://www.raspberrypi.org>, 2013.
- [2] Faster CZ s.r.o. Universal Raspberry Pi add-on board. <http://www.unipi.technology>, 2014.
- [3] University of Manchester. PiFace Digital Interface. <http://www.piface.org.uk>, 2013.
- [4] Kristech. Pigeon PLC. <http://www.pigeoncomputers.com>, 2018.
- [5] REX Controls s.r.o.. *Getting started with REXYGEN on Raspberry Pi*, 2020. →.